

YPRES HISTORIC **REGULARITY**

TIMED BY



MOMENTOTM
INDEPENDENT SWISS WATCH BRAND



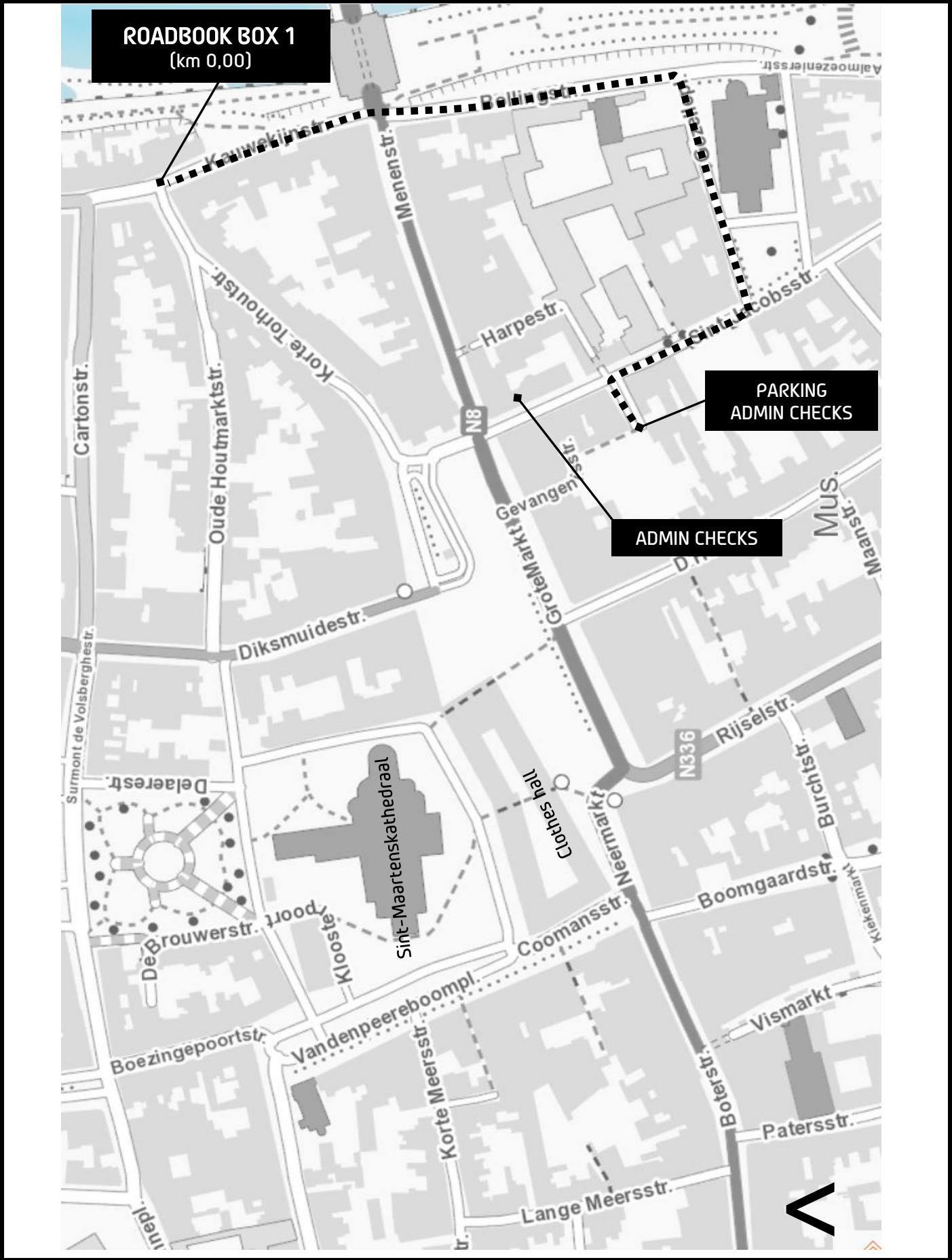
TRIPCHECK

22-23-24 NOVEMBER 2024

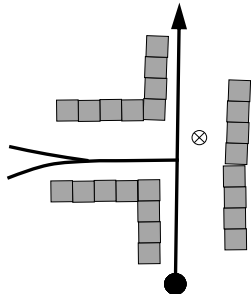

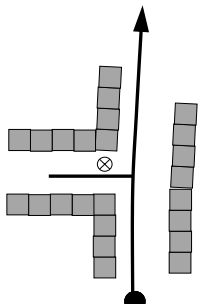

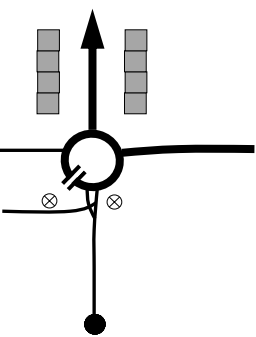


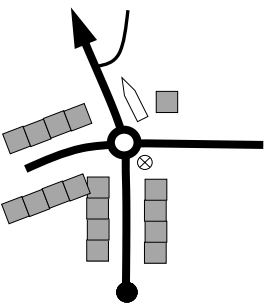

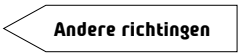
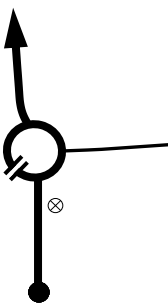



YPRES - HQ LOCATIONS

DISTANCE		DIRECTION	INFORMATION	DISTANCE REGRESS.
TOTAL	PARTIAL			



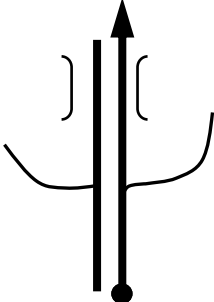
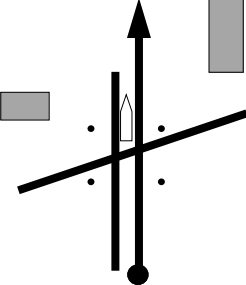
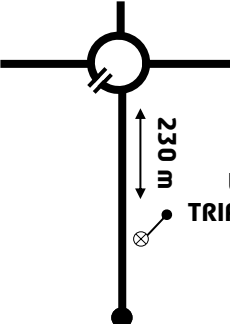

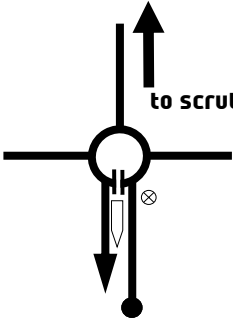

TRIPCHECK

DISTANCE		DIRECTION	INFORMATION	DISTANCE REGRESS.
TOTAL	PARTIAL			
0,00	0,00	 1	RESET TRIPMETER 0,00 km 	3,55
0,04	0,04	 2		3,51
0,27	0,23	 3	SOMR  	3,28
0,65	0,38	 4	SOMR  	2,90
1,80	1,15	 5		1,75

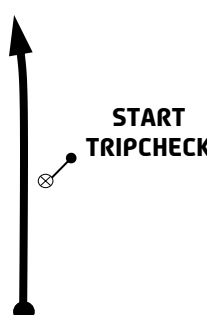

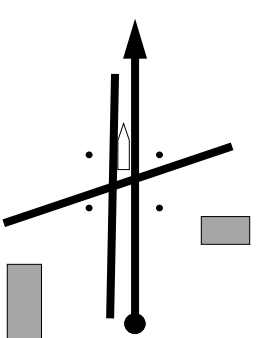
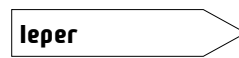
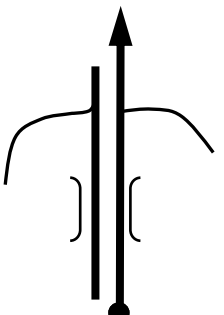
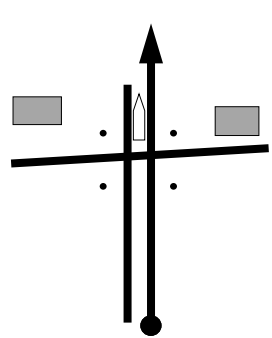

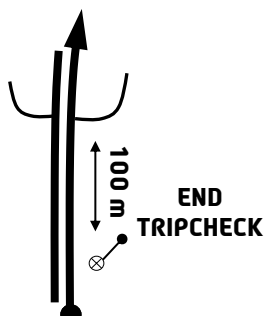
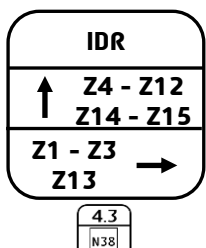
TRIPCHECK

DISTANCE		DIRECTION	INFORMATION	DISTANCE REGRESS.
TOTAL	PARTIAL			
2,10	0,30	<div style="text-align: center;"> </div>	<p style="text-align: center;">get in lane</p> <div style="text-align: right;"> </div>	1,45
3,28	1,18	<div style="text-align: center;"> </div>		0,27
3,55	0,27	<div style="text-align: center;"> </div>	<p style="text-align: center;">START TRIPCHECK A</p> <div style="text-align: center;"> </div>	0,00
0,000	0,00	<div style="text-align: center;"> </div>	<p style="text-align: center;">START TRIPCHECK A</p> <div style="text-align: center;"> </div> <div style="background-color: black; color: white; text-align: center; padding: 5px;"> <p>STAY ON RIGHT LANE DURING TRIPCHECK</p> </div>	4,73
0,74	0,74	<div style="text-align: center;"> </div>	<div style="text-align: right;"> </div>	3,99

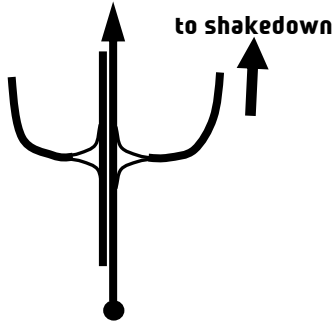
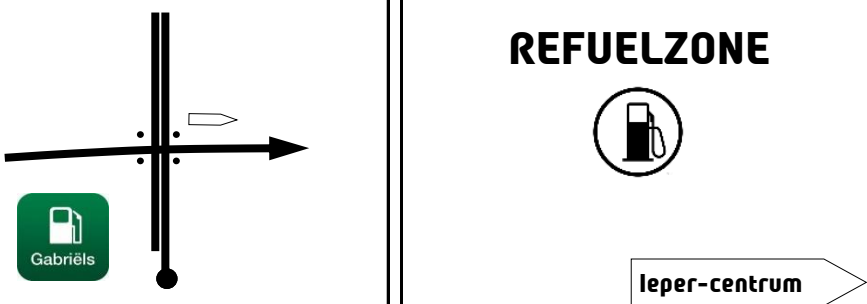

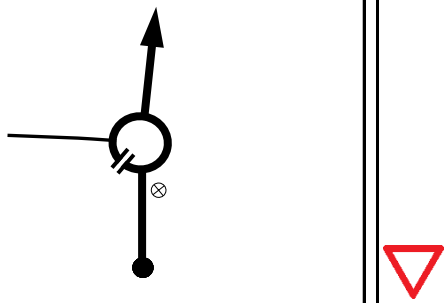
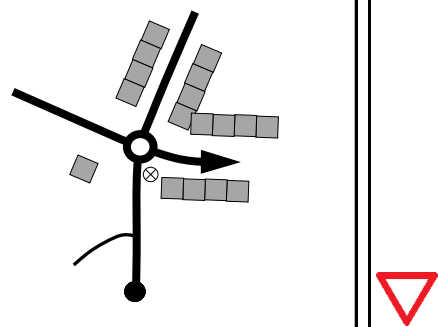
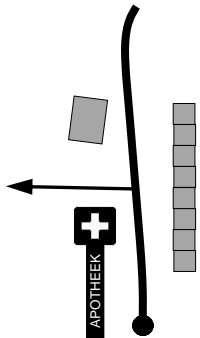
TRIPCHECK

DISTANCE		DIRECTION	INFORMATION	DISTANCE REGRESS.
TOTAL	PARTIAL			
2,36	1,62	<div style="text-align: center;">  </div>		2,37
		11		
3,44	1,08	<div style="text-align: center;">  </div>		1,29
		12	<div style="border: 1px solid black; padding: 2px; display: inline-block;"> Poperinge </div>	
4,200	0,76	<div style="text-align: center;">  <p style="text-align: right;">230 m END TRIPCHECK</p> </div>	<p>END TRIPCHECK A</p> <div style="border: 1px solid black; padding: 5px; width: fit-content; margin: auto;"> Duinkerke (Dunkerque) Poperinge  </div>	0,53
		13		
4,43	0,23	<div style="text-align: center;">  <p style="text-align: right;">to scrutineering</p> </div>		0,30
		14	<div style="display: flex; align-items: center; justify-content: center;"> <div style="border: 1px solid black; padding: 2px; display: inline-block;"> Ieper </div> </div>	
4,73	0,30	<div style="text-align: center;">  <p style="text-align: right;">START TRIPCHECK</p> </div>	<p>START TRIPCHECK B</p> <div style="border: 2px solid black; border-radius: 50%; width: 60px; height: 60px; display: flex; align-items: center; justify-content: center; margin: auto;"> 90 </div>	0,00
		15		

TRIPCHECK

DISTANCE		DIRECTION	INFORMATION	DISTANCE REGRESS.
TOTAL	PARTIAL			
0,000	0,00		<p>START TRIPCHECK B</p>  <p style="background-color: black; color: white; padding: 5px; text-align: center;">STAY ON RIGHT LANE DURING TRIPCHECK</p>	8,22
0,76	0,76			7,46
1,91	1,15		<p>RADAR at km 2,70</p>	6,31
3,52	1,61			4,70
4,309	0,79		<p>END TRIPCHECK B</p> 	3,91

TRIPCHECK

DISTANCE		DIRECTION	INFORMATION	DISTANCE REGRESS.
TOTAL	PARTIAL			
4,54	0,23	<div style="border: 1px solid black; padding: 2px; width: fit-content; margin: 0 auto;">21</div> 		3,68
5,71	1,17	<div style="border: 1px solid black; padding: 2px; width: fit-content; margin: 0 auto;">22</div> 	REFUELZONE 	2,51
5,99	0,28	<div style="border: 1px solid black; padding: 2px; width: fit-content; margin: 0 auto;">23</div> 	SOMR	2,23
7,15	1,16	<div style="border: 1px solid black; padding: 2px; width: fit-content; margin: 0 auto;">24</div> 	SOMR	1,07
7,54	0,39	<div style="border: 1px solid black; padding: 2px; width: fit-content; margin: 0 auto;">25</div> 	get in lane	0,68

TRIPCHECK

DISTANCE		DIRECTION	INFORMATION	DISTANCE REGRESS.
TOTAL	PARTIAL			
7,74	0,20	<div style="text-align: center;"> </div>	<div style="text-align: center;"> </div>	0,48
7,84	0,10	<div style="text-align: center;"> </div>	<div style="text-align: center;"> </div>	0,38
7,98	0,14	<div style="text-align: center;"> </div>	<div style="text-align: center;"> </div>	0,24
8,06	0,08	<div style="text-align: center;"> </div>	<p>CASH BANCONTACT</p>	0,16
8,11	0,05	<div style="text-align: center;"> </div>		0,11

TRIPCHECK

DISTANCE		DIRECTION	INFORMATION	DISTANCE REGRESS.
TOTAL	PARTIAL			
8,22	0,11	<div style="display: flex; align-items: center; justify-content: center;"> <div style="margin-right: 10px;"> </div> </div>	<p style="font-weight: bold; font-size: 1.2em;">CAR PARK IN</p> <div style="background-color: black; color: white; padding: 5px; text-align: center; margin-top: 10px;"> <p style="font-weight: bold; font-size: 0.8em;">CAR PARK IN between 13h00 & 16h00</p> </div>	0,00
		<div style="border: 1px solid black; padding: 2px 5px; width: 30px; margin: 0 auto;">31</div>		